

FLAT WIPER BLADE

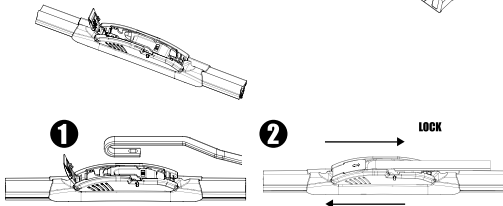
ESSUIE-GLACE PLAT
FLACHBALKEN WISCHBLATT
WISSERBLAD

INSTALLATION INSTRUCTIONS

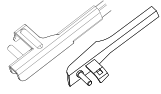
SMALL AND LARGE HOOK ARM



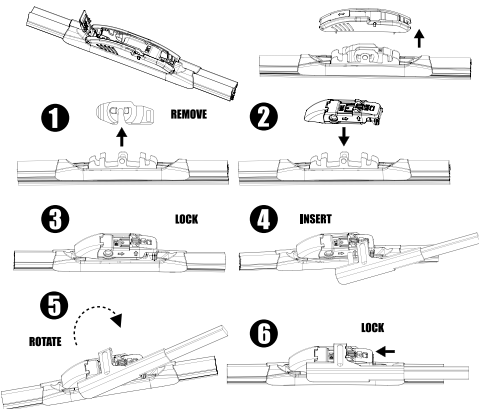
USE PREINSTALLED ADAPTER B1



PIN & HOOD (P&H) ARM



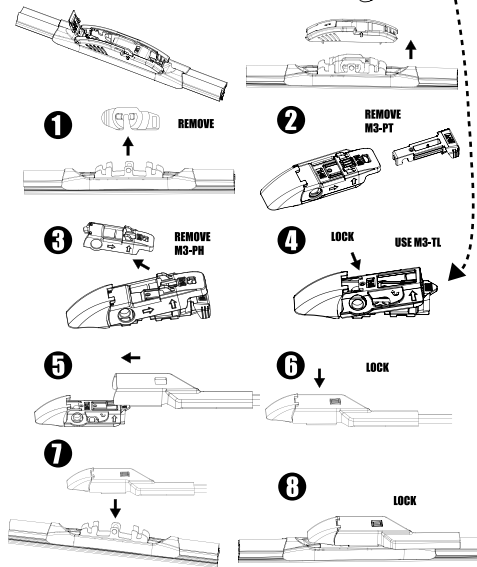
REMOVE PREINSTALLED ADAPTER B1 & USE ADAPTER ASSEMBLY M3-PH+M3-TL+M3-NTL



PUSH BUTTON ARM (19mm)

19mm

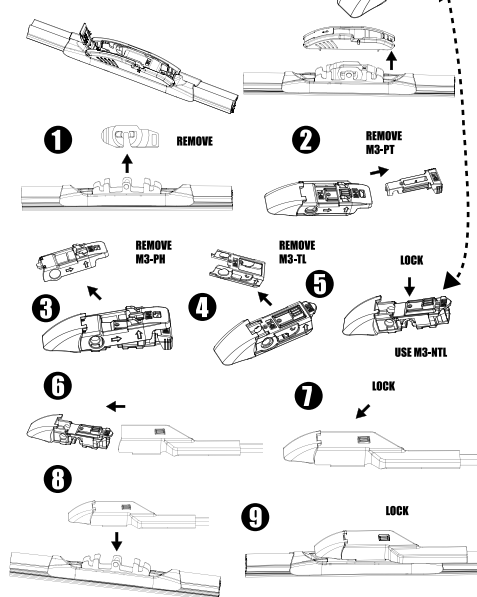
REMOVE PREINSTALLED ADAPTER B1 & USE ADAPTER M3-TL+M3-NTL



PUSH BUTTON NARROW (16mm)

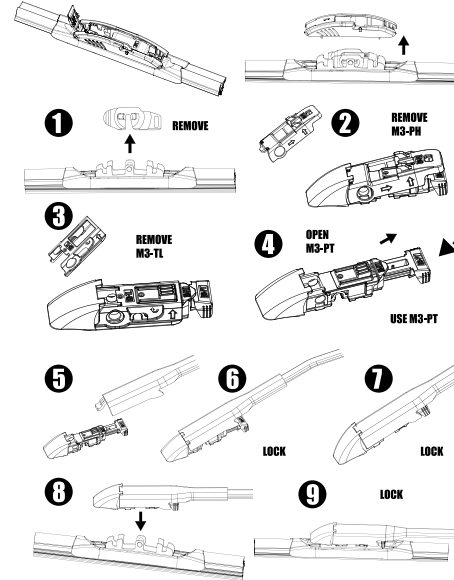
16mm

REMOVE PREINSTALLED ADAPTER B1 & USE ADAPTER M3-NTL



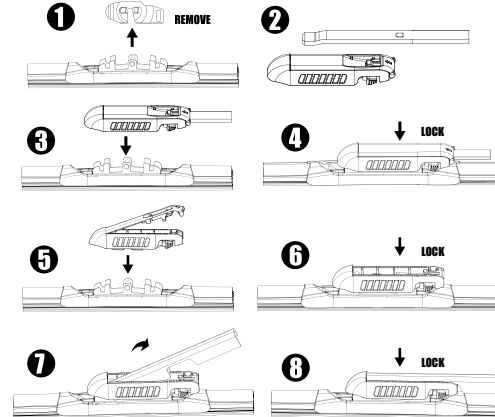
PINCH TAB ARMS

REMOVE PREINSTALLED ADAPTER B1 & USE ADAPTER M3-PT+M3-NTL



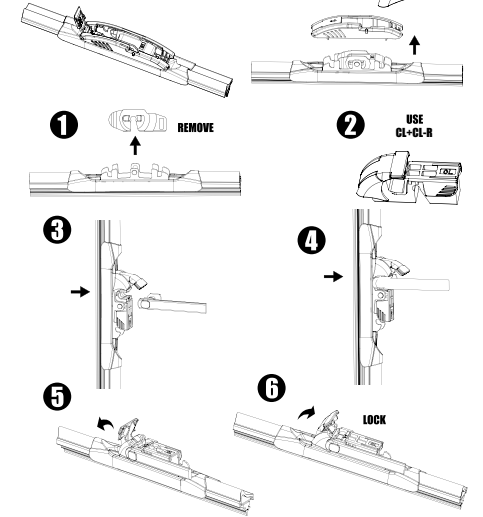
BAYONET LOCK ARM & PINCH TAB ARM

REMOVE PREINSTALLED ADAPTER B1 & USE ADAPTER M4a



CENTRAL LOCK ARM

REMOVE PREINSTALLED ADAPTER B1 & USE ADAPTER CL+CL-R



CENTRAL LOCK ARM

REMOVE PREINSTALLED ADAPTER B1 & USE ADAPTER CL-R

